

## Data Sheet PowerMoniSpot, wireless clamp-on power sensor

- ❖ Energy metering on multiconductor power cables.
- ❖ Clamp-on the outside of double isolated multiconductor power cables.
- ❖ Can be used uncalibrated on a single phase.
- ❖ Can be used on two-phase and homogeneous 3-phased when calibrated with a PowerMoniMain.
- ❖ Wireless sensor communication.
- ❖ Slim; can be installed on limited space.
- ❖ Can be installed inside walls, roofs, in insulation etc.



## APPLICATION

PowerMoniSpot is a power meter, to be used on all types of power cables.

PowerMoniSpot is measuring the actual electrical energy consumption of devices, aggregates and machines for supervision of operation and energy consumption. For precise measurements, the PowerMoniSpot must be calibrated.

PowerMoniSpot is simply clamped on the double isolated cable to measure the power flow in the cable, enabling the total installation in minutes. The sensor can be clamped on cables of different sizes.

The measured data are transmitted wirelessly to a gateway. From the gateway, the data are transmitted to the ReMoni cloud service, ReCalc. In the other direction, parameter settings and software updates are transmitted from ReCalc through the gateway to the sensor.



## INSTALLATION

The installation manual can be downloaded from ReMoni's website in the download section: <https://support.remoni.com/>

## WIRELESS DATA TRANSMISSION

The data sheet for wireless communication can be downloaded from ReMoni's website in the download section: <https://support.remoni.com/>

## HARDWARE AND SOFTWARE TESTS

All ReMoni products are tested individually before shipped from the factory.

## SOFTWARE CONFIGURATION

---

There is no software to be configured on the gateway. All configurations are made in ReCalc:  
<https://recalc.remoni.com>

## CALIBRATION


---

PowerMoniSpot can be used without calibration, for continuously consumption measurement, but does not state the actual consumption values.

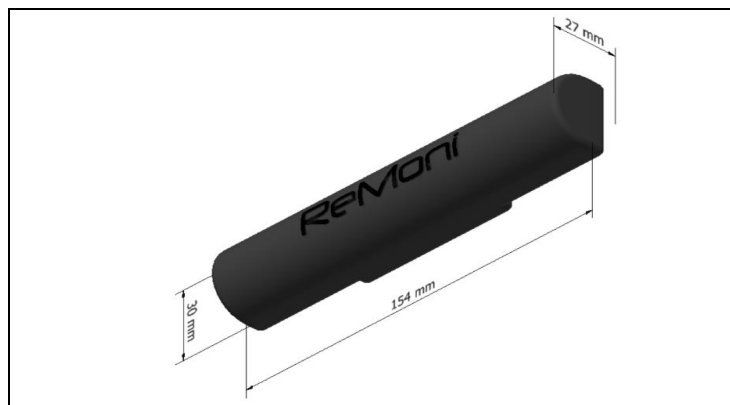
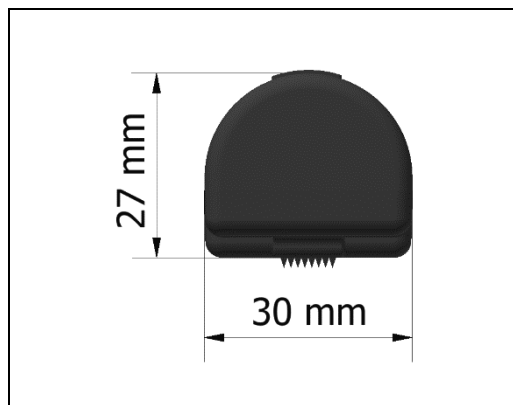
When the PowerMoniSpot is installed, the data will show in ReCalc. The data shown in ReCalc can be adjusted with a calibration constant, so it shows consumption in watt.

For more calibration specifications, see: <https://www.remoni.com/products/sensors/powermonispot/>

**TECHNICAL DATA**

<p><b>Technical data, PowerMoniSpot</b></p> 	<b>Mounting and measuring:</b>	
	Mounting on multicore power cable types:	50/60 Hz (± 5%), 115-400 V AC
	Cable dimensions:	All cable sizes; mount using cable ties
	Measuring accuracy:	~1% on current
	Max current:	200 A
	Min consumption:	~ 15 W
	Battery type:	1 x 3.6 V 2.5 Ah AA Li-Me battery
	Battery lifetime:	15 years.
	Sampling rate:	Typical 5 minutes, but can sample at second level. Can be adjusted from ReCalc. Note that high sampling rate will affect the battery lifetime.
	<b>Outline data:</b>	
	Surrounding temperature:	-20°C to 70°C
	Transport temperature:	-40°C to 80°C
	Encapsulation material:	PC, polycarbonate
	Protection class:	IP66
	Colour:	RAL 9005 (black)
	Weight:	79 g
	Application area:	Indoor and outdoor
Product conformity:	CE. RED (2014/53/EU). LVD (2014/35/EU). RoHS Directive 2011/65/EU.	
Test methods:	RED: EN 300 220-2 LVD: EN 62311:2008	

## DIMENSIONS



## ORDER NUMBERS

See: <https://shop.remoni.com/>

## ANNEX

Instructions for disposal of WEEE by users of the European Union



This product must not be disposed of with other waste. Instead, it's the user's responsibility to dispose of their waste equipment by handing it over to a designated collection point for the recycling of waste electrical and electronic equipment. The separate collection and recycling of your waste equipment at the time of disposal will help to conserve natural resources and ensures that it is recycled in a manner that protects human health and the environment. For more information about where you can drop off your waste equipment for recycling, please contact your local office, your household waste disposal or where you purchased your product.



The product contains lithium battery/s.  
Must recycle or dispose of properly.

## CONTACT

**ReMoni ApS**  
Industrivej 41 E  
DK – 8660 Skanderborg  
M: [info@remoni.dk](mailto:info@remoni.dk)  
T: +45 3064 1627