

## Data Sheet FlowMoniSpot, monitoring temperature in pipes

- ❖ Measuring temperature on pipes and surrounding air
- ❖ If there is flow in the pipe, it will be measured.
- ❖ Able to evaluate if there is a leak in a pipe system.
- ❖ Distinguish small leaks from large leaks
- ❖ Sending alarms to the user about an eventual leak.
- ❖ Slim; can be installed on limited space.
- ❖ Wireless sensor, transmitting measured data to the ReMoni cloud solution, ReCalc.



### APPLICATION

FlowMoniSpot is an indicative flow sensor, measuring if there is flow in the pipe.

FlowMoniSpot is fast and easy to install on different types of pipes and dimensions. This can be e.g. pipes with cold or hot water or heating pipes. The probes are simply fastened to the pipe which is to be measured and the sensor is fastened somewhere near to the pipe. It is possible to extend the probe wire if the sensing end of the probe is reattached.

FlowMoniSpot is a wireless sensor, transmitting measured data to the ReMoni gateway and therefrom to ReCalc.



### INSTALLATION

The installation manual can be downloaded from ReMoni's website in the download section:  
<https://www.remoni.com/support/downloads/>

### WIRELESS DATA TRANSMISSION

The data sheet for wireless communication can be downloaded from ReMoni's website in the download section:  
<https://www.remoni.com/support/downloads/>

### HARDWARE AND SOFTWARE TESTS

All ReMoni products are tested individually before shipped from the factory.

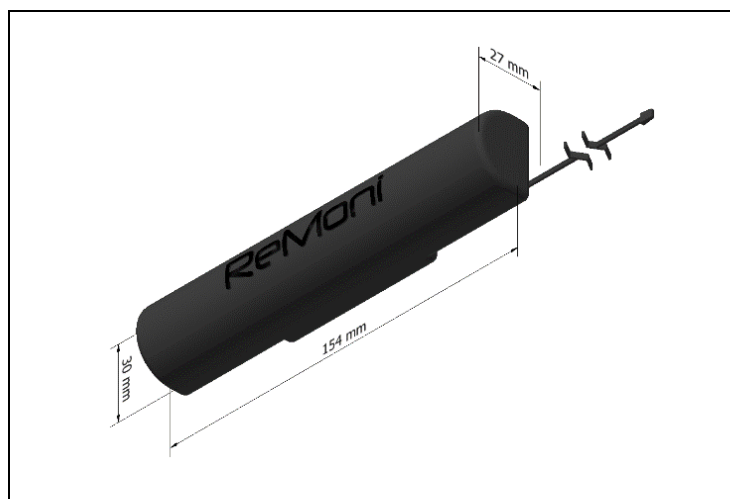
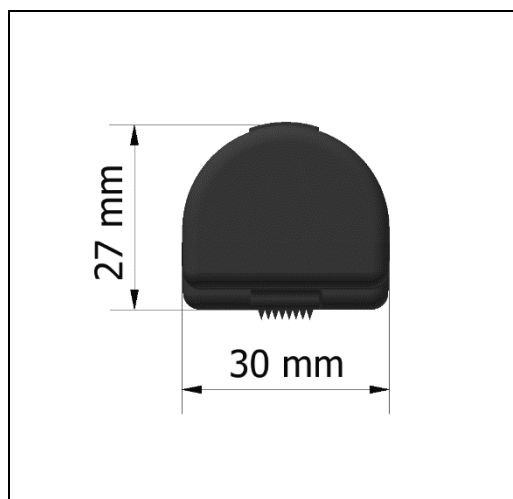
### SOFTWARE CONFIGURATION

There is no software to be configured on the gateway. All configurations are made in ReCalc:  
<https://recalc.remoni.com>

**TECHNICAL DATA**

<p><b>Technical data, FlowMoniSpot</b></p> 	<b>Mounting and measuring:</b>	
	Mounting:	Mounted somewhere near the pipe, using the prepared mounting possibilities on the bottom of the sensor.
	Mounting of probe:	The probe is taped to the pipe using aluminum tape.
	Pipe materials:	Metal (e.g. stainless steel, galvanized steel, copper, copper alloy, cast iron). Plastic (e.g. PVC, PE, PEX, PP, ALUPEX).
	Pipe dimensions:	All pipe dimensions.
	Measuring method:	Temperature difference, between the actual pipe and surrounding temperature, combined with math.
	Measuring value:	An indication of flow in the pipe.
	Precision	± 0.5°C between 0°C and 40°C ± 1.0°C between - 40°C and 80°C
	Battery lifetime:	> 5 years. Designed for battery lifetime > 15 years
	Sampling rate:	15 minutes to 1 minute. Can be adjusted from ReCalc. High sampling rate will affect the battery lifetime.
	<b>Outline data:</b>	
	Surrounding temperature:	-20°C to 70°C.
	Transport temperature:	-40°C to 80°C.
	Encapsulation material:	PC, polycarbonate.
	Protection class:	IP64.
	Colour:	RAL 9005 (black).
	Weight:	78 g.
	Application area:	Indoor and outdoor. When mounted outdoors all penetrating cables and wires shall be turned downwards.
	Product conformity:	CE. RED (2014/53/EU). LVD (2014/35/EU). RoHS Directive 2011/65/EU.
	Standards:	RED: EN 300 220-2 V3.1.1:2017-02 Or EN 300 220-2 V3.2.0 (2017-09) LVD: EN 62311:2008

## DIMENSIONS



## ORDER NUMBERS

See <https://remoni.com/buy>

## ANNEX

Instructions for disposal of WEEE by users of the European Union



This product must not be disposed of with other waste. Instead, it's the user's responsibility to dispose of their waste equipment by handing it over to a designated collection point for the recycling of waste electrical and electronic equipment. The separate collection and recycling of your waste equipment at the time of disposal will help to conserve natural resources and ensures that it is recycled in a manner that protects human health and the environment. For more information about where you can drop off your waste equipment for recycling, please contact your local office, your household waste disposal or where you purchased your product.



The product contains lithium battery/s.  
Must recycle or dispose of properly.

## CONTACT

### ReMoni ApS

Industrivej 41 E  
DK – 8660 Skanderborg

M: [info@remoni.dk](mailto:info@remoni.dk)

T: +45 3064 1627